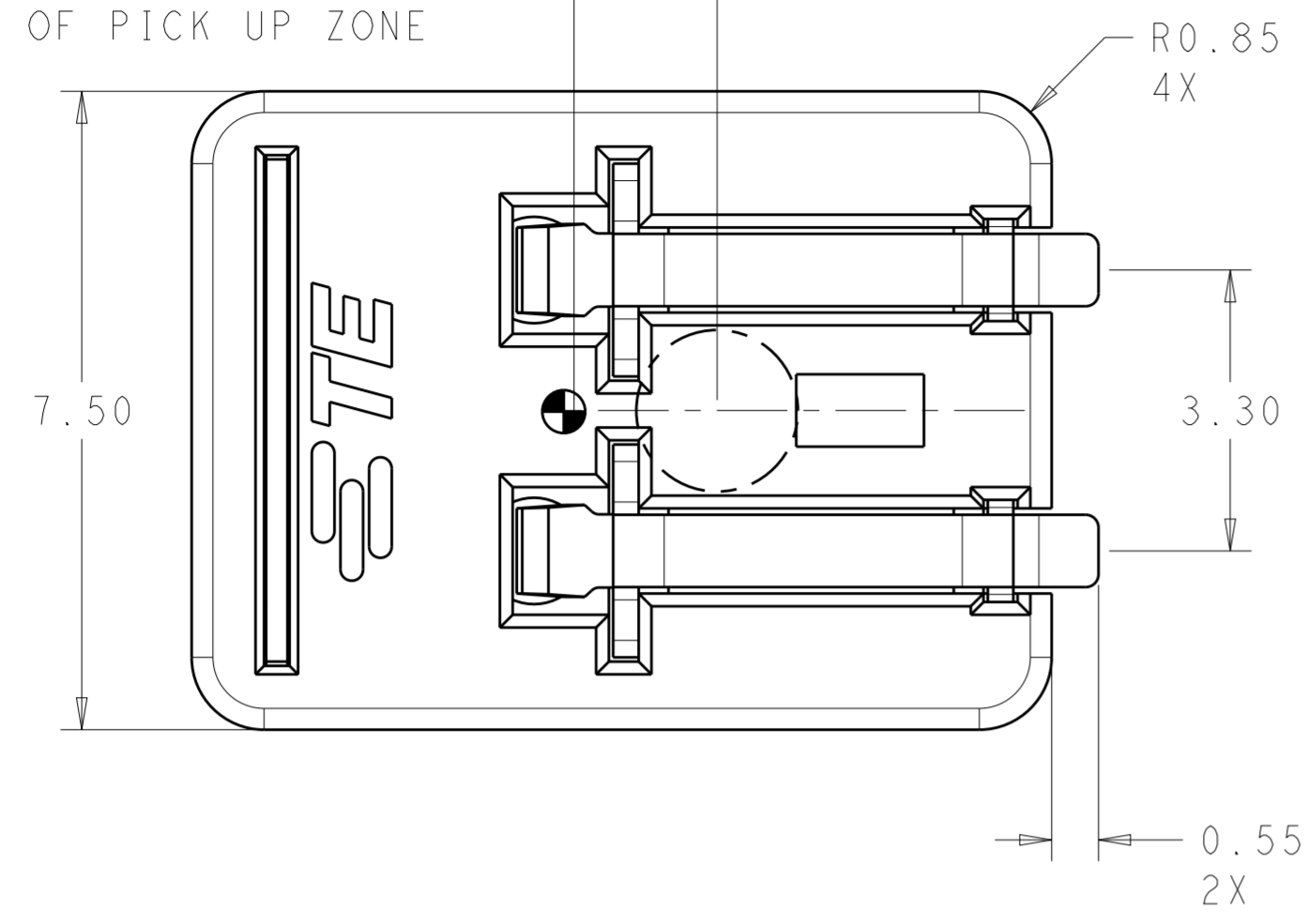


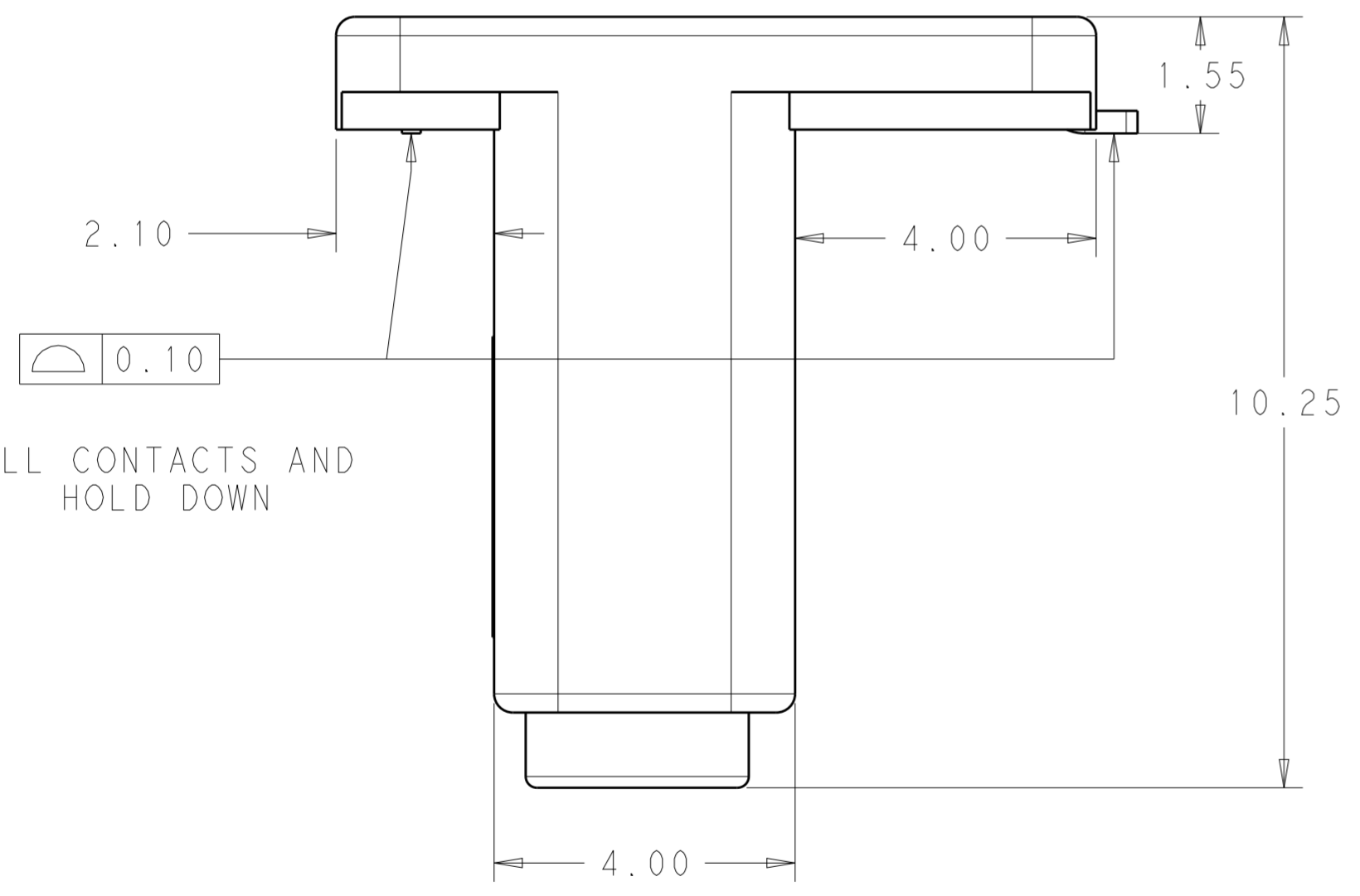
THIS DRAWING IS UNPUBLISHED. RELEASED FOR PUBLICATION 20
 © COPYRIGHT 20 BY - ALL RIGHTS RESERVED.

REVISIONS							
LOC	DIST	P	LTR	DESCRIPTION	DATE	DWN	APVD
-	-	A		REVISED PER ECR-16-004597	12APR2016	RS	DD

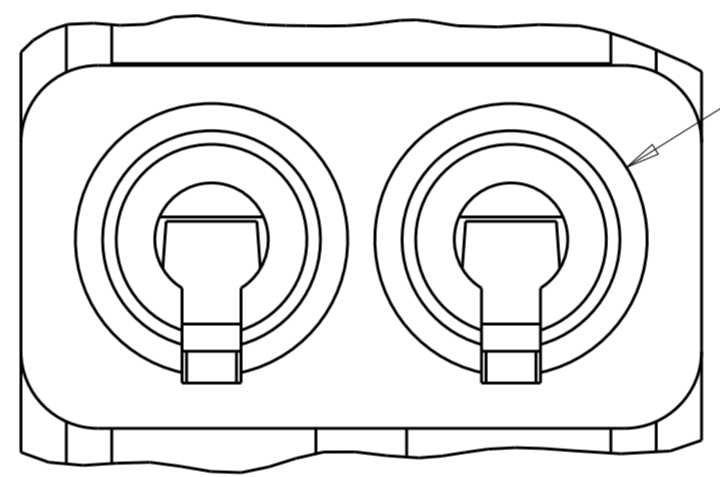
1.68 DISTANCE FROM COG TO CENTER OF PICK UP ZONE



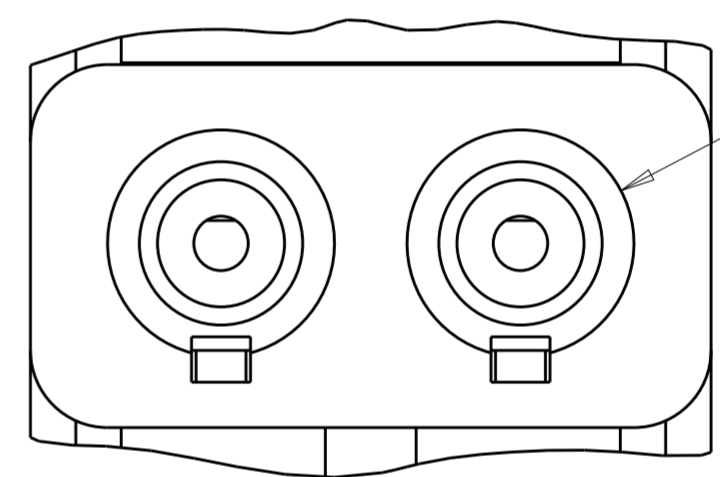
- 1 MATERIALS AND FINISH:
 -HOUSING AND COVER: THERMOPLASTIC, COLOR: NATURAL
 -CONTACTS: COPPER ALLOY, FINISH: Sn OVER Ni
 -HOLD DOWN: COPPER ALLOY, FINISH: Sn OVER Ni
- 2. MUST COMPLY WITH DIRECTIVE 2002/95/EC (ROHS)
- 3. NOTE DELETED.
- 4 TO BE USED WITH UL1007 WIRE 22-18AWG SOLID, 20-18 AWG BONDED, 18 AWG STRANDED.
- 5. PACKAGED IN TAPE AND REEL
- 6 TO BE USED WITH UL1007 WIRE 26-24 AWG SOLID.
- 7 DIMENSION SHOWN IS RECOMMENDED SOLDER MASK OPENING



ALL CONTACTS AND HOLD DOWN



2213189-1, -3



2213189-2, -4

2213189-1, -2

26-24	∅2.50	WITH COVER	6	2213189-4
22-18	∅3.00	WITH COVER	4	2213189-3
26-24	∅2.50	W/O COVER	6	2213189-2
22-18	∅3.00	W/O COVER	4	2213189-1
MARKING	DIM X	DESCRIPTION	WIRE RANGE	PART NO.

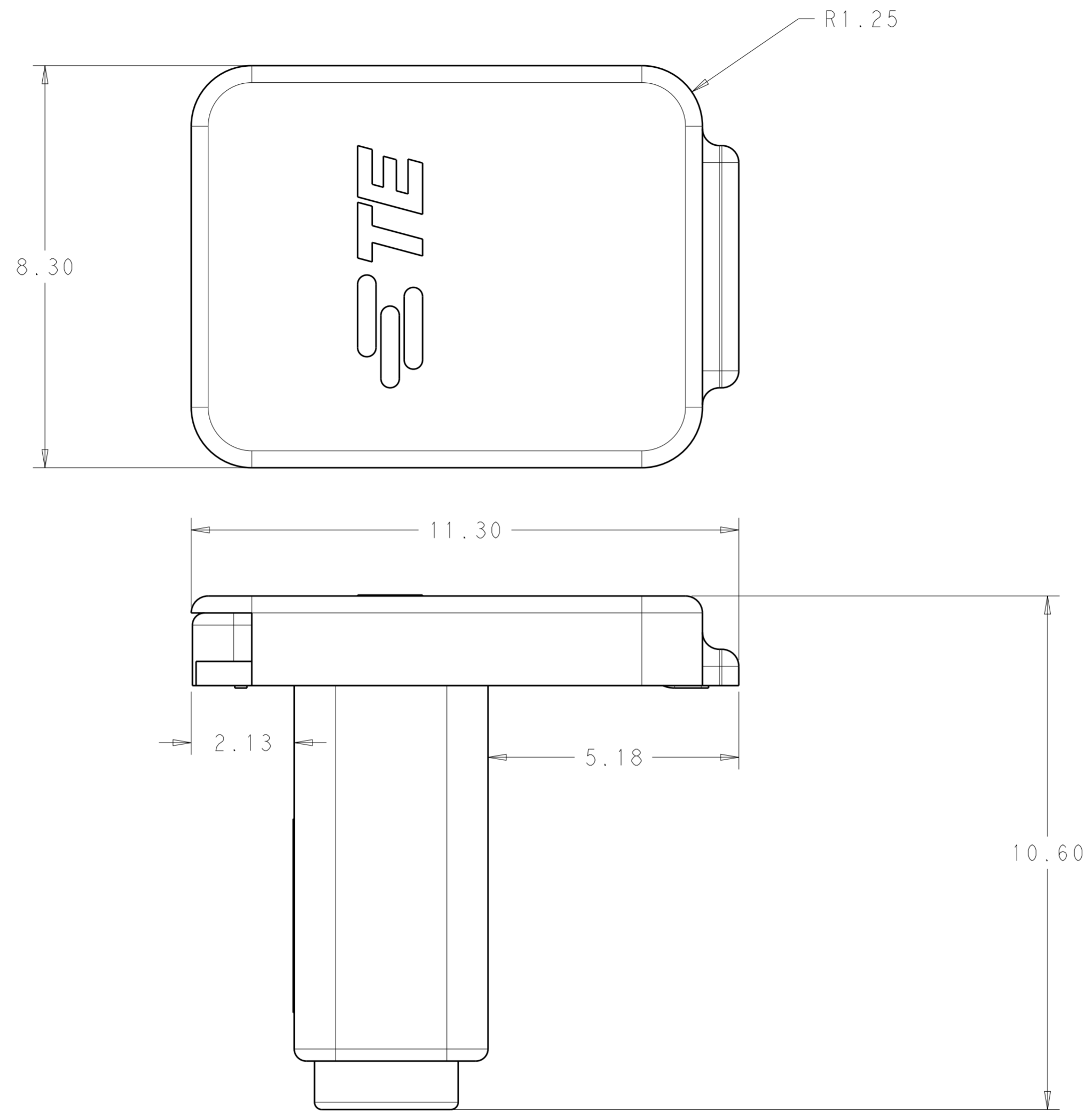
SEE VIEW E

THIS DRAWING IS A CONTROLLED DOCUMENT.

DWN C. DAILY 25OCT2012	TE Connectivity
CHK C. GINGRICH 25OCT2012	
APVD -	NAME ASSEMBLY, POKE-IN INVERTED THROUGH BOARD
PRODUCT SPEC 108-32040	SIZE A200779
APPLICATION SPEC 114-32054	CAGE CODE C-2213189
MATERIAL -	RESTRICTED TO -
WEIGHT -	SCALE 6:1
CUSTOMER DRAWING	SHEET 1 OF 4
	REV A

THIS DRAWING IS UNPUBLISHED. RELEASED FOR PUBLICATION 20
 © COPYRIGHT 20 BY - ALL RIGHTS RESERVED.

LOC		DIST		REVISIONS			
P	LTR	DESCRIPTION	DATE	DWN	APVD		
-		SEE SHEET 1	-	-	-		

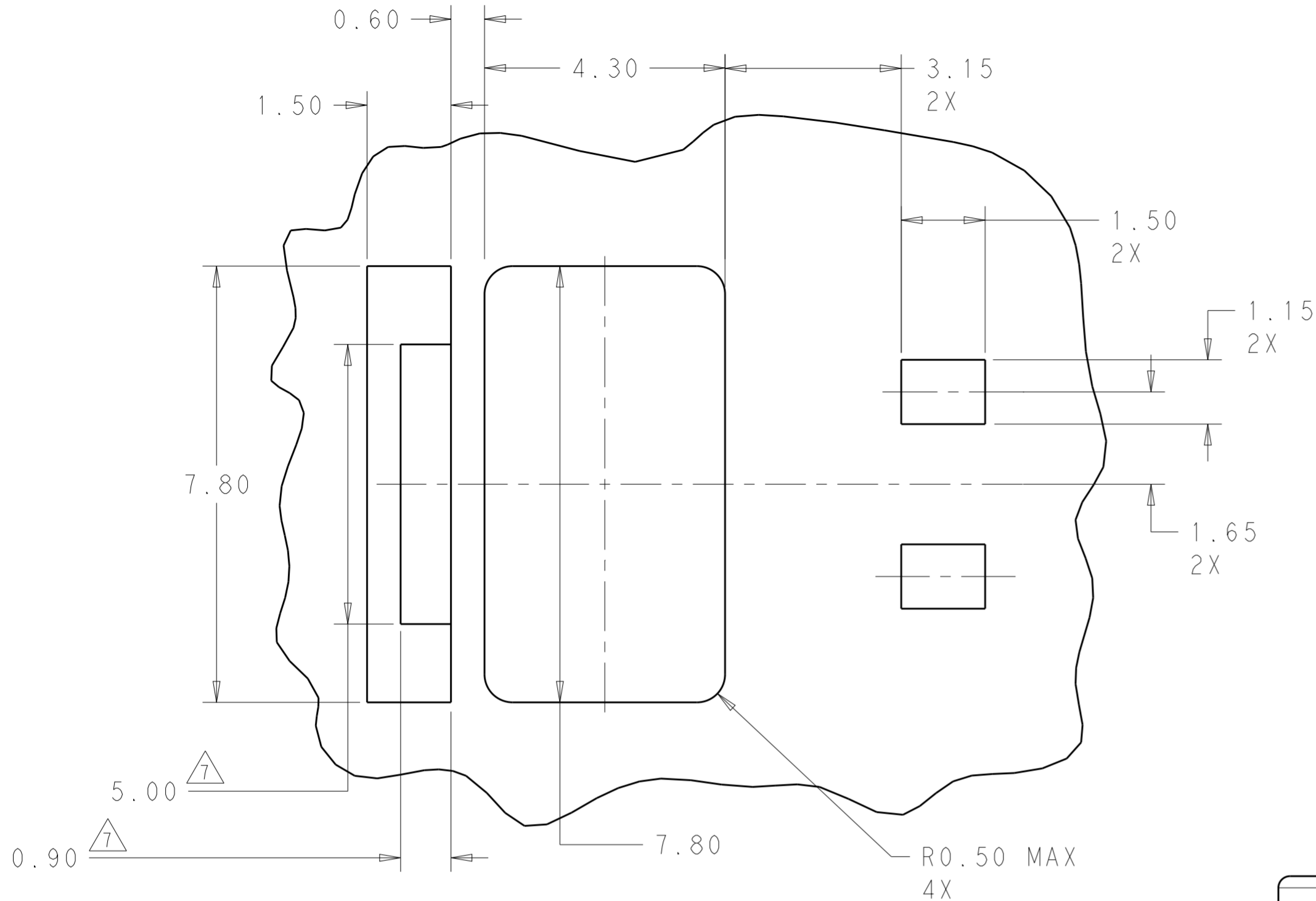


2213189-3, -4

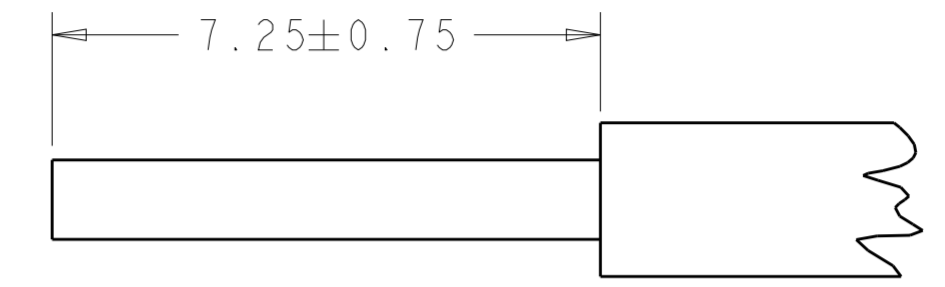
THIS DRAWING IS A CONTROLLED DOCUMENT.		DWN C. DAILY 25OCT2012	STC TE Connectivity	
		CHK C. GINGRICH 25OCT2012		
DIMENSIONS: mm		TOLERANCES UNLESS OTHERWISE SPECIFIED:		NAME ASSEMBLY, POKE-IN INVERTED THROUGH BOARD
0 PLC ±		1 PLC ±0.2		PRODUCT SPEC 108-32040
2 PLC ±0.15		3 PLC ±		APPLICATION SPEC 114-32054
4 PLC ±		ANGLES ±2A°		SIZE A200779
FINISH		MATERIAL		CAGE CODE C-2213189
		Customer Drawing		RESTRICTED TO -
		SCALE 6:1		SHEET 2 OF 4
				REV A

THIS DRAWING IS UNPUBLISHED. RELEASED FOR PUBLICATION 20
 © COPYRIGHT 20 BY - ALL RIGHTS RESERVED.

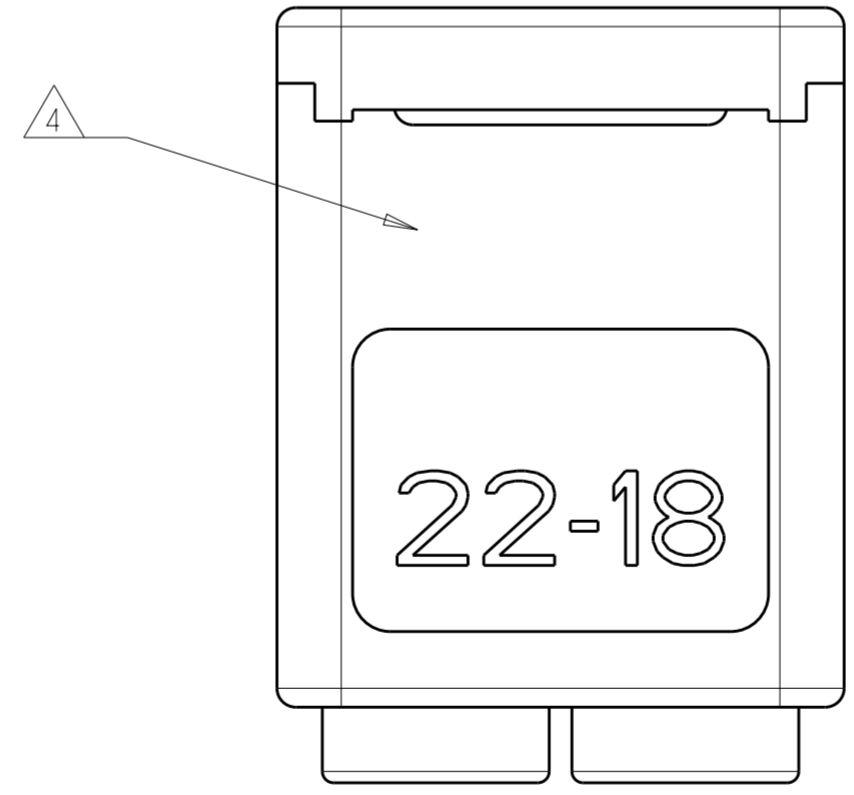
LOC	DIST	REVISIONS			
P	LTR	DESCRIPTION	DATE	DWN	APVD
-	-	SEE SHEET 1	-	-	-



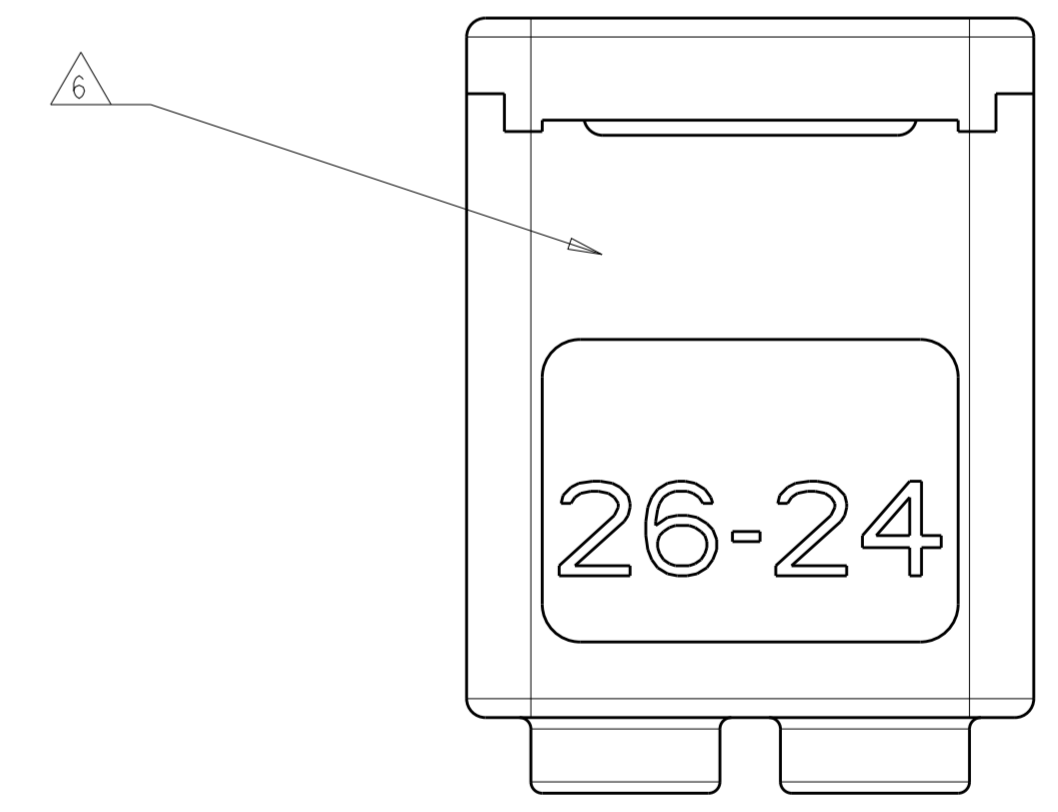
MOUNTING PCB LAYOUT
 SCALE 12:1



WIRE PREPARATION DETAIL
 SCALE 10:1



2213189-1, -3
 SCALE 10:1

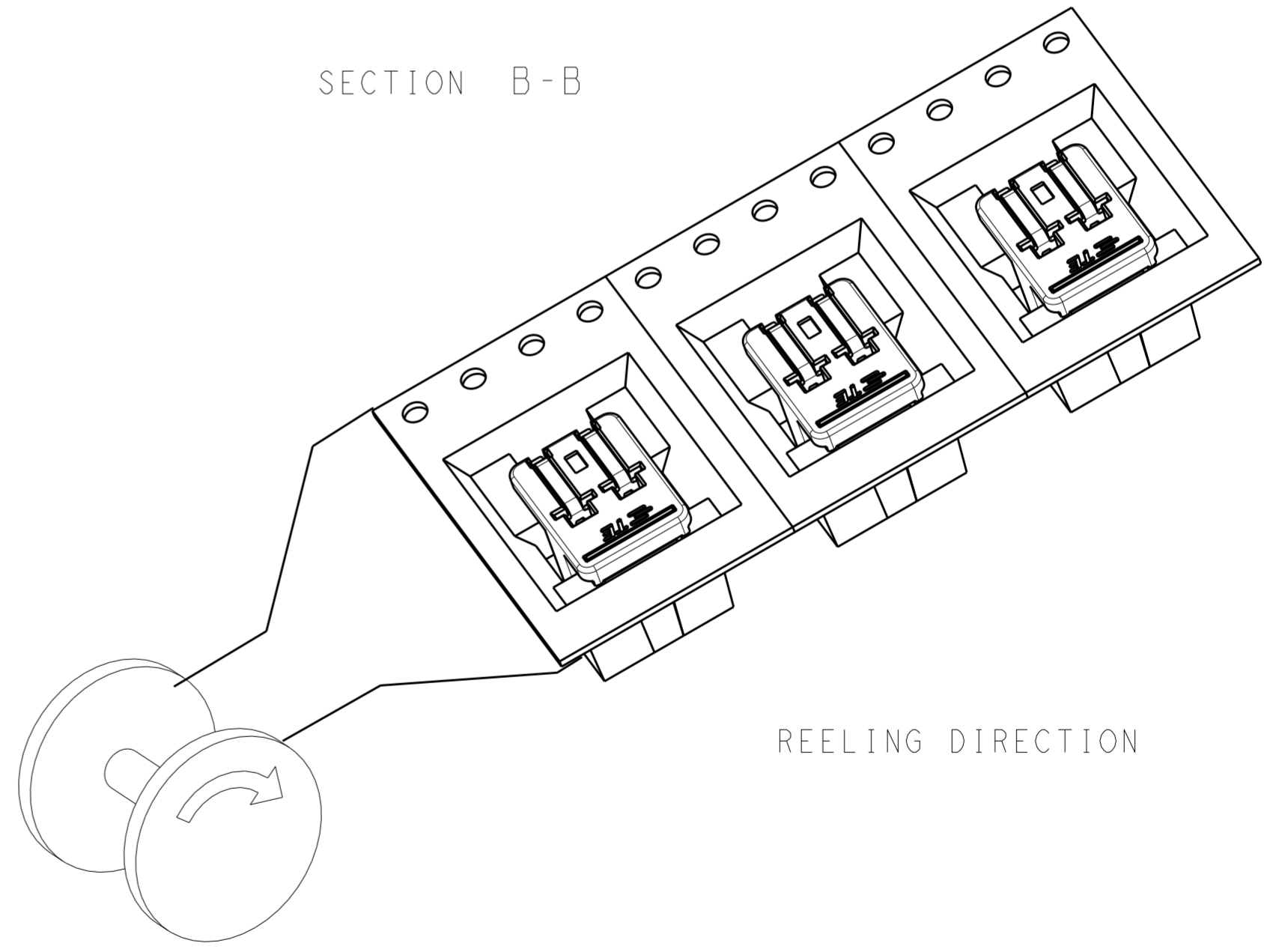
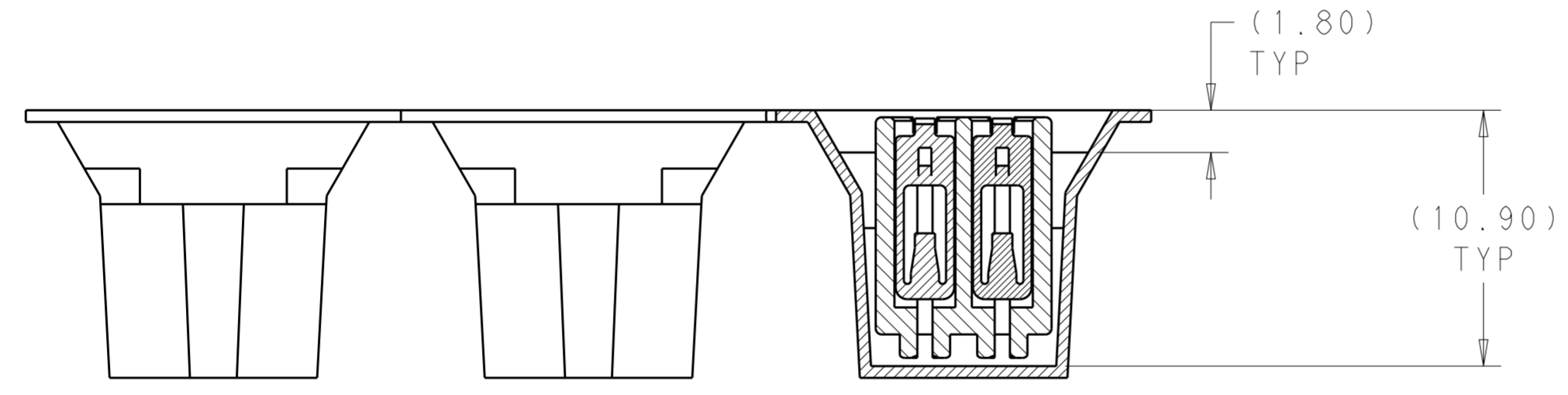
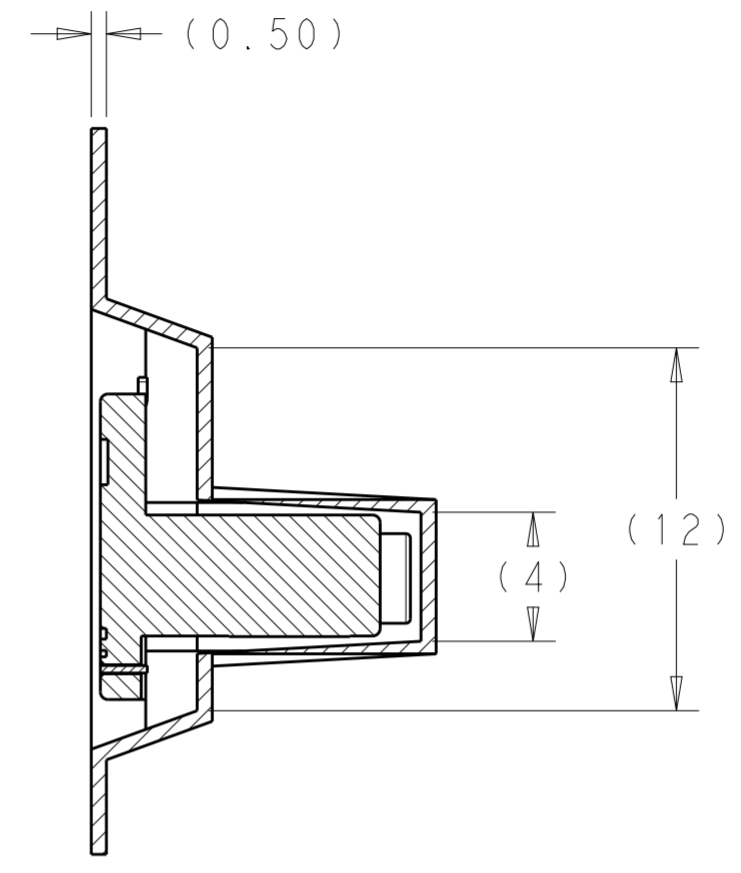
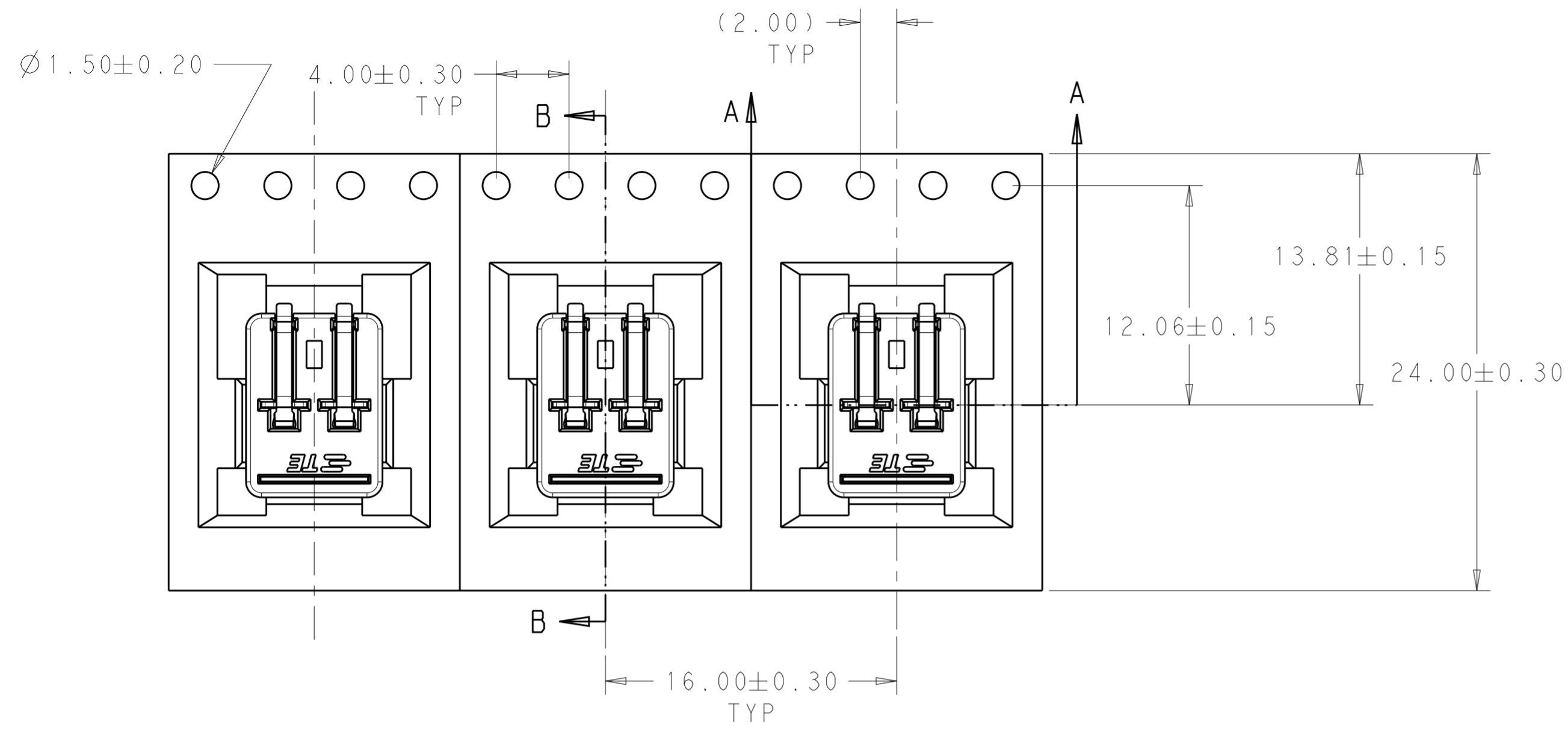


2213189-2, -4
 SCALE 10:1


THIS DRAWING IS A CONTROLLED DOCUMENT.		DWN C. DAILY 25OCT2012	STE TE Connectivity	
		CHK C. GINGRICH 25OCT2012		
DIMENSIONS:	TOLERANCES UNLESS OTHERWISE SPECIFIED:	APVD -	NAME ASSEMBLY, POKE-IN INVERTED THROUGH BOARD	
mm	0 PLC ± 1 PLC ±0.2 2 PLC ±0.15 3 PLC ± 4 PLC ± ANGLES ±2A° FINISH -	PRODUCT SPEC 108-32040	SIZE A200779	
MATERIAL -		APPLICATION SPEC 114-32054	DRAWING NO C-2213189	RESTRICTED TO -
		WEIGHT -	SCALE 2:1	SHEET 3 OF 4
		Customer Drawing	REV A	

THIS DRAWING IS UNPUBLISHED. RELEASED FOR PUBLICATION 20
 © COPYRIGHT 20 BY - ALL RIGHTS RESERVED.

LOC		DIST		REVISIONS			
P	LTR	DESCRIPTION		DATE	DWN	APVD	
-	-	SEE SHEET 1		-	-	-	



PACKAGING FOR 2213189-1 SHOWN

THIS DRAWING IS A CONTROLLED DOCUMENT.		DWN C. DAILY 25OCT2012	 TE Connectivity	
DIMENSIONS: mm		CHK C. GINGRICH 25OCT2012		
TOLERANCES UNLESS OTHERWISE SPECIFIED:		APVD -	NAME ASSEMBLY, POKE-IN INVERTED THROUGH BOARD	
0 PLC ±		PRODUCT SPEC 108-32040	SIZE A200779	
1 PLC ±0.2		APPLICATION SPEC 114-32054	CAGE CODE C-2213189	
2 PLC ±0.15		WEIGHT -	DRAWING NO -	
3 PLC ±		Customer Drawing	RESTRICTED TO -	
4 PLC ±		SCALE 2:1	SHEET 4 OF 4	
ANGLES ±2°		REV A		
FINISH				

Mouser Electronics

Authorized Distributor

Click to View Pricing, Inventory, Delivery & Lifecycle Information:

[TE Connectivity:](#)

[2213189-3](#)